

Spare parts orders should be sent to your designated RMCL agent.

All information, illustrations and specifications contained in this manual are based on the latest production information available at the time of publication. The right is reserved to make changes on all information at any time without notice.

Repairs if any shall be carried out only by authorized persons and please ensure that only original RMCL spare parts are used. This guarantees that your machines are constantly and reliably ready to operate and will safeguard your warranty claim.

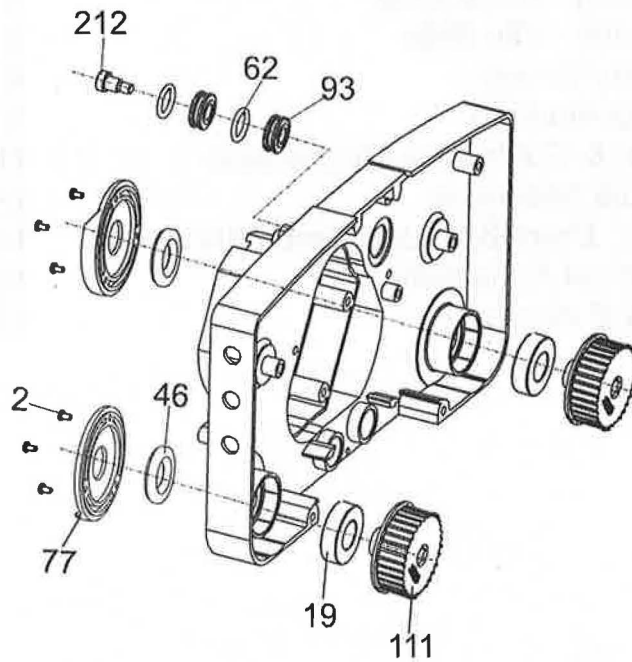
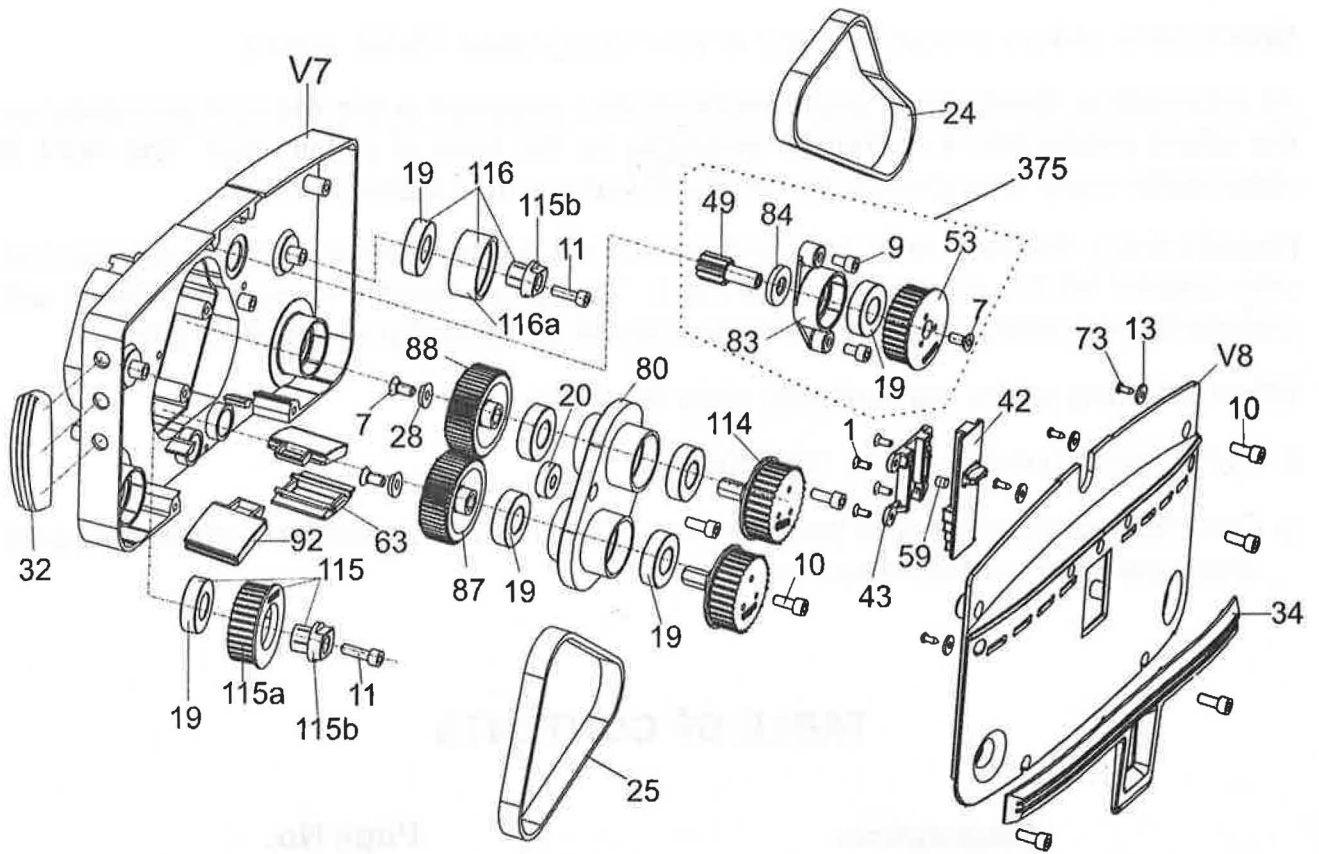
When ordering spare parts please state the following:

- a) Type. Serial number of the machine.
- b) Complete description and part number (as given in this booklet) of the required spare part and quantity required.

TABLE OF CONTENTS

Description	Page No.
Housing - Drive Side	4
Housing - Idle Side	6
Battery Group	8
Pump Housing	9
Lever & Guide Link Mechanism	11
Handle Assembly	12
Motor, Drum & Bridge Assembly	14
Electrical Schematic	16
Limited Warranty	17

HOUSING - DRIVE SIDE

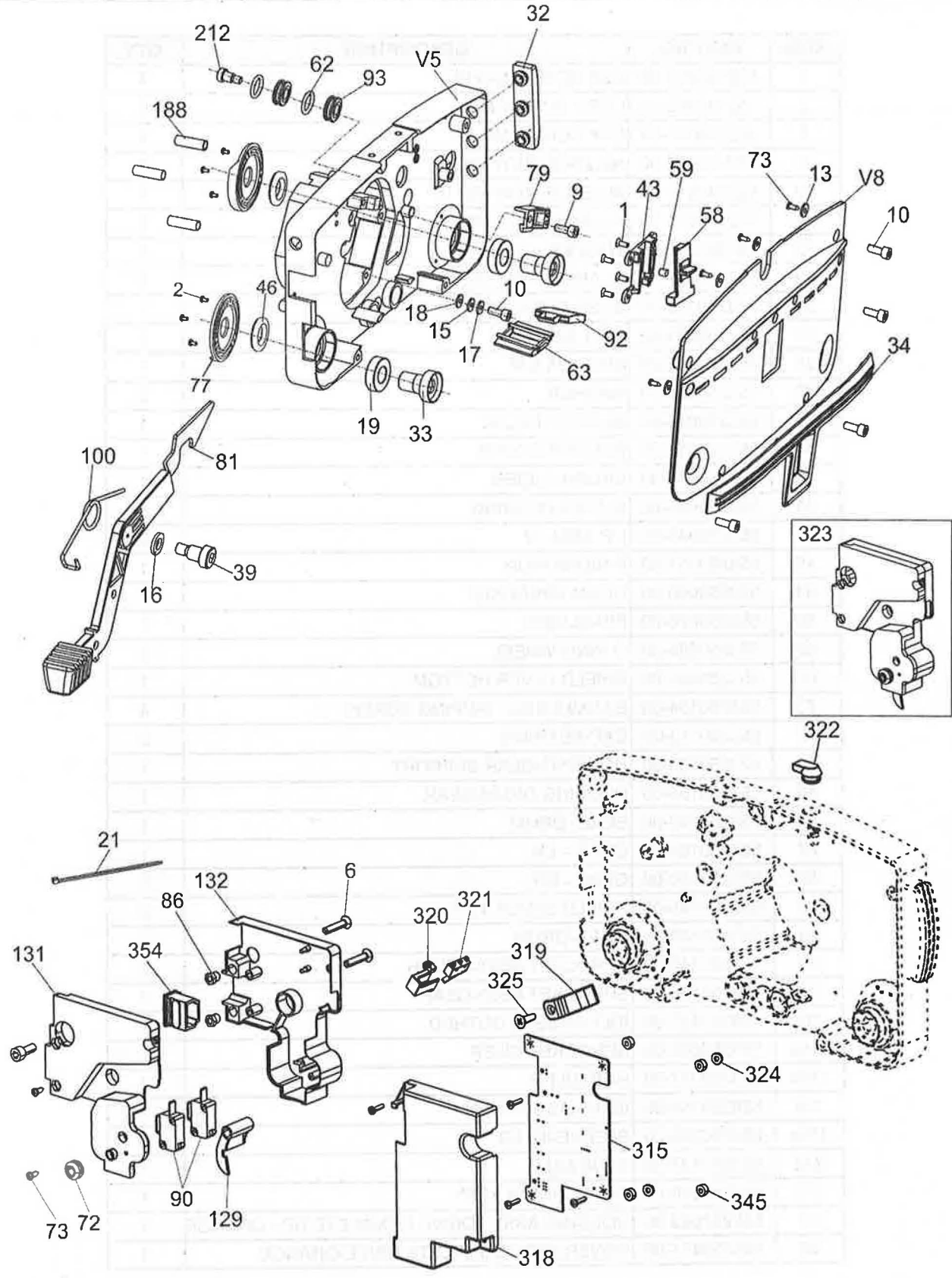


HOUSING - DRIVE SIDE



Sl.No	PART NO.	DESCRIPTION	QTY
1	552120004-00	CSK SCREW M4x10	4
2	552140002-00	CRPH SCREW M3x6	6
7	552220011-00	CSK SCREW M6x14	3
9	552240012-00	ALLEN SCREW M6x10	2
10	552240013-00	ALLEN SCREW M6x15	7
11	552240014-00	ALLEN SCREW M6x20	2
13	552360005-00	WASHER 4.2x12x1.6	4
19	552610011-00	BEARING 6003 2RS	9
20	553250193-00	BUSH GUIDE MOTOR SHAFT	1
24	553250001-00	BELT 500 5 M	1
25	553250002-00	BELT 425 5 M	1
28	553250009-00	WASHER	2
32	553250015-00	BUMPER-FRONT	1
34	553250019-00	BUMPER-COVER	1
42	553250038-00	BRUSH SLIDER	1
43	553250039-00	SLIDER HOUSING	1
46	553250043-00	LIP SEAL 17	2
49	553250051-00	PINION-DRUM	1
53	553250060-00	DRUM SPROCKET	1
59	553250078-00	PIN-SLIDER	1
62	553250085-00	O RING-WHEEL	2
63	553250087-00	SHIELD-LEVER BOTTOM	1
73	553250104-00	B3.5X9.5 SELF TAPPING SCREW	4
77	553250113-00	CAP-BEARING	2
80	553250193-00	HOUSING-GEAR SUPPORT	1
83	553250158-00	HOUSING-DRUM-GEAR	1
84	553250159-00	SEAL - DRUM	1
87	553250169-00	GEAR - LH	1
88	553250170-00	GEAR - RH	1
92	553250185-00	SHIELD-LEVER-TOP	2
93	553250186-00	IDLER-DRUM	2
111	558250148-00	SPROCKET ASSY-BRUSH	2
114	558250156-00	SPROCKET ASSY-GEAR	2
115	558250157-00	IDLER ASSY-TOOTHED	1
115a	553250062-00	SPROCKET-IDLER	1
115b	553250037-00	HUB-IDLER	2
116	558250158-00	IDLER ASSY-PLAIN	1
116a	553250048-00	SLEEVE-IDLER	1
212	553250187-00	STUB AXLE	1
375	558250066-00	DRUM PINION ASSY	1
V7	558251063-00	HOUSING ASSY - DRIVE COMPLETE DC - ORANGE	1
V8	558250471-00	COVER ASSY COMPLETE DRIVE-ORANGE	1

HOUSING - IDLE SIDE

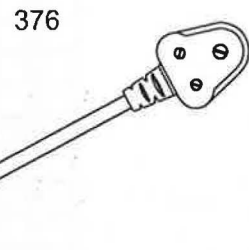
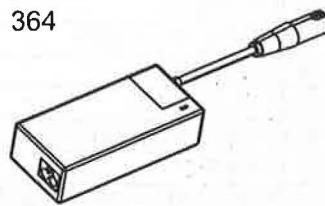
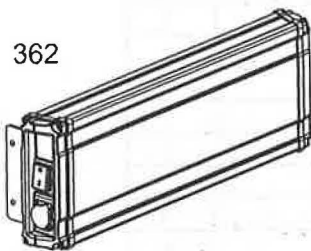
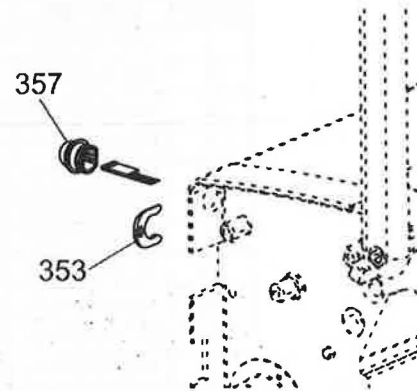
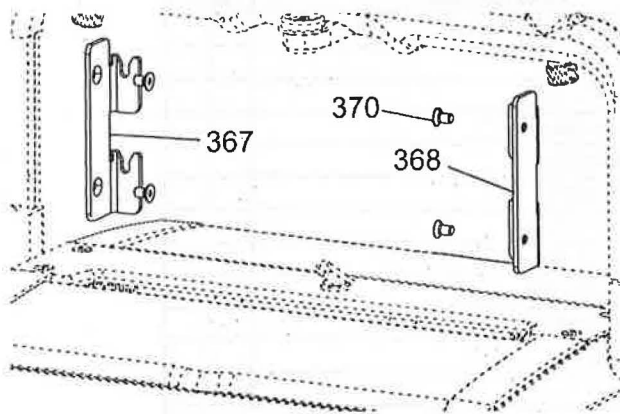


HOUSING - IDLE SIDE



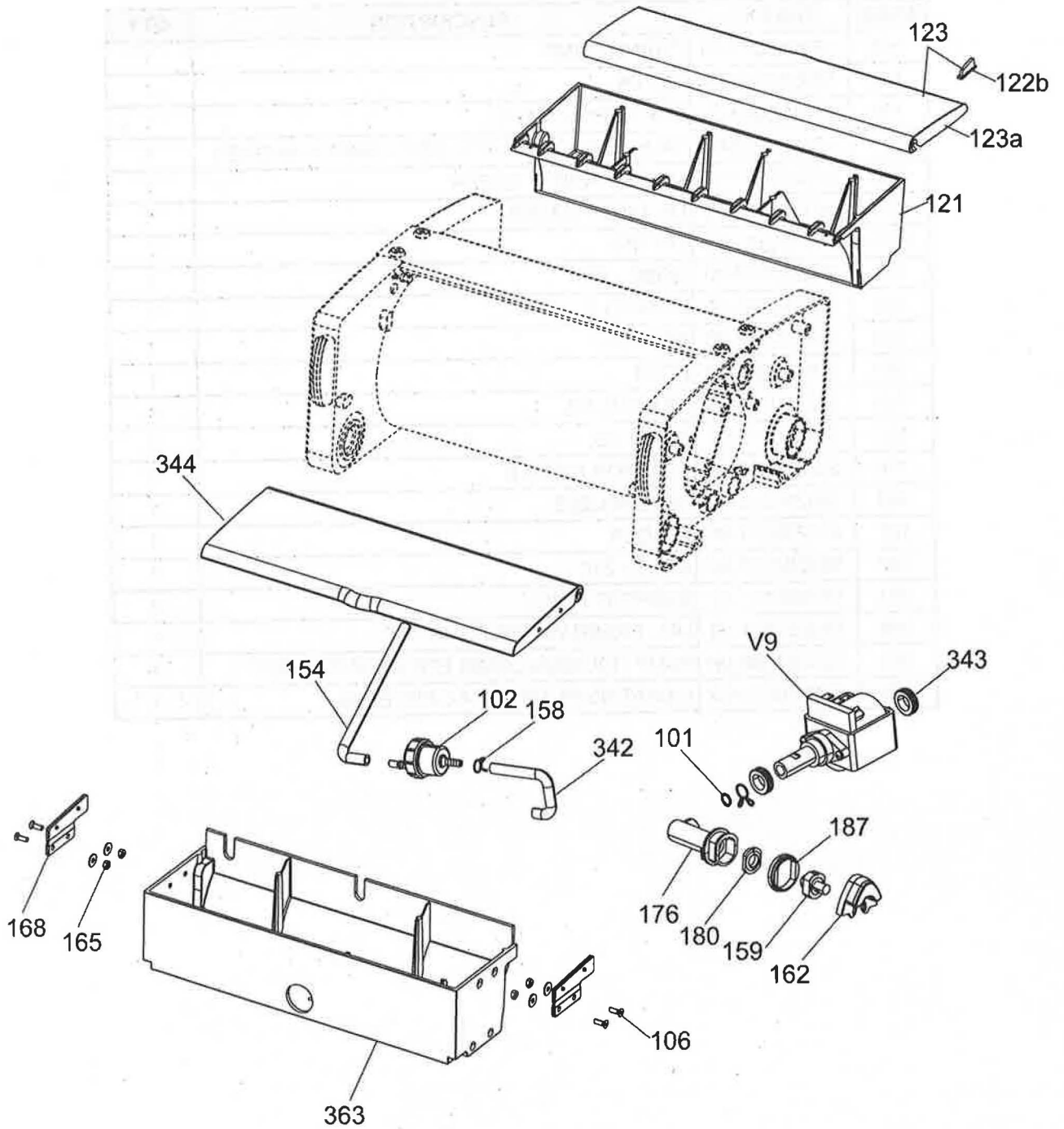
Sl.No	PART NO.	DESCRIPTION	QTY
1	552120004-00	CSK SCREW M4x10	4
2	552140002-00	CRPH SCREW M3x6	6
6	552220005-00	CSK SCREW M5x25	2
9	552240012-00	ALLEN SCREW M6x10	1
10	552240013-00	ALLEN SCREW M6x15	5
13	552360005-00	WASHER 4.2x12x1.6	4
15	552360011-00	WASHER 6.4x12.5x1.6	1
16	553250143-00	WASHER 9x17x1.5	1
17	552510004-00	SPRING WASHER M6	1
18	552530004-00	TOOTHED WASHER M6	1
19	552610011-00	BEARING 6003 2RS	2
21	552670017-00	WIRE TIE	3
32	553250015-00	BUMPER	1
33	553250016-00	BUSH	2
34	553250019-00	BUMPER-COVER	1
39	553250031-00	STUB AXLE	1
43	553250039-00	SLIDER HOUSING	1
46	553250043-00	LIP SEAL 17	2
58	553250070-00	TRANSPORT SLIDER	1
59	553250078-00	PIN-SLIDER	1
62	553250085-00	O RING-WHEEL	2
63	553250087-00	SHIELD-LEVER BOTTOM	1
72	553250100-00	GROMMET	2
73	553250104-00	B3.5X9.5 SELF TAPPING SCREW	6
77	553250113-00	CAP-BEARING	2
79	553250127-00	STOPPER-LEVER	1
81	558250001-00	PEDAL	1
86	553250168-00	NUT-INSULATION	2
90	553250173-00	SWITCH	2
92	553250185-00	SHIELD-LEVER-TOP	1
93	553250186-00	IDLER-DRUM	2
100	553250294-00	SPRING-PEDAL	1
129	553250356-10	LEVER SWITCH ACT	1
131	553250536-00	INSULATION TOP - DC	1
132	553250537-00	INSULATION BOTTOM - DC	1
188	553250177-00	SLEEVE TIE ROD	3
212	553250187-00	STUB AXLE	1
315	553250506-00	PCB BOARD W34P	1
318	553250507-00	COVER PCB	1
319	553250520-00	CLAMP CABLE DC	1
320	553250516-00	HOUSING SWITCH DM	1
321	553250494-00	SWITCH DM	1
322	553250530-00	GROMMET BRIDGE HOUSING	1
323	558251034-00	ELECTRICAL BOX ASSY DC	1
324	552360027-00	WASHER 3.5X8.0X1.0	2
325	552110010-00	CR CSK HD SCREW M3X6	1
345	553250508-00	BUSH PCB	4
354	553250529-00	DUMMY ELECTRICAL BOX	1
V5	558251062-00	HOUSING ASSY - IDLE COMPLETE DC- ORANGE	1
V8	558251065-00	COVER ASSY COMPLETE IDLE DC ORANGE	1

BATTERY GROUP



Sl.No	PART NO.	DESCRIPTION	QTY
353	553250528-00	CLAMP CAP LED	1
357	553250509-00	CAP LED	1
362	558251030-00	BATTERY PACK GROUP	1
364	553250544-00	CHARGER BW	1
367	553250505-00	BRACKET BATTERY BOX LH	1
368	553250549-00	BRACKET BATTERY BOX RH	1
370	552220003-00	HEX SOC CSK HD SCREW M5X10	4
376	553250569-00	POWER CORD CHARGER - INDIA	1

PUMP HOUSING

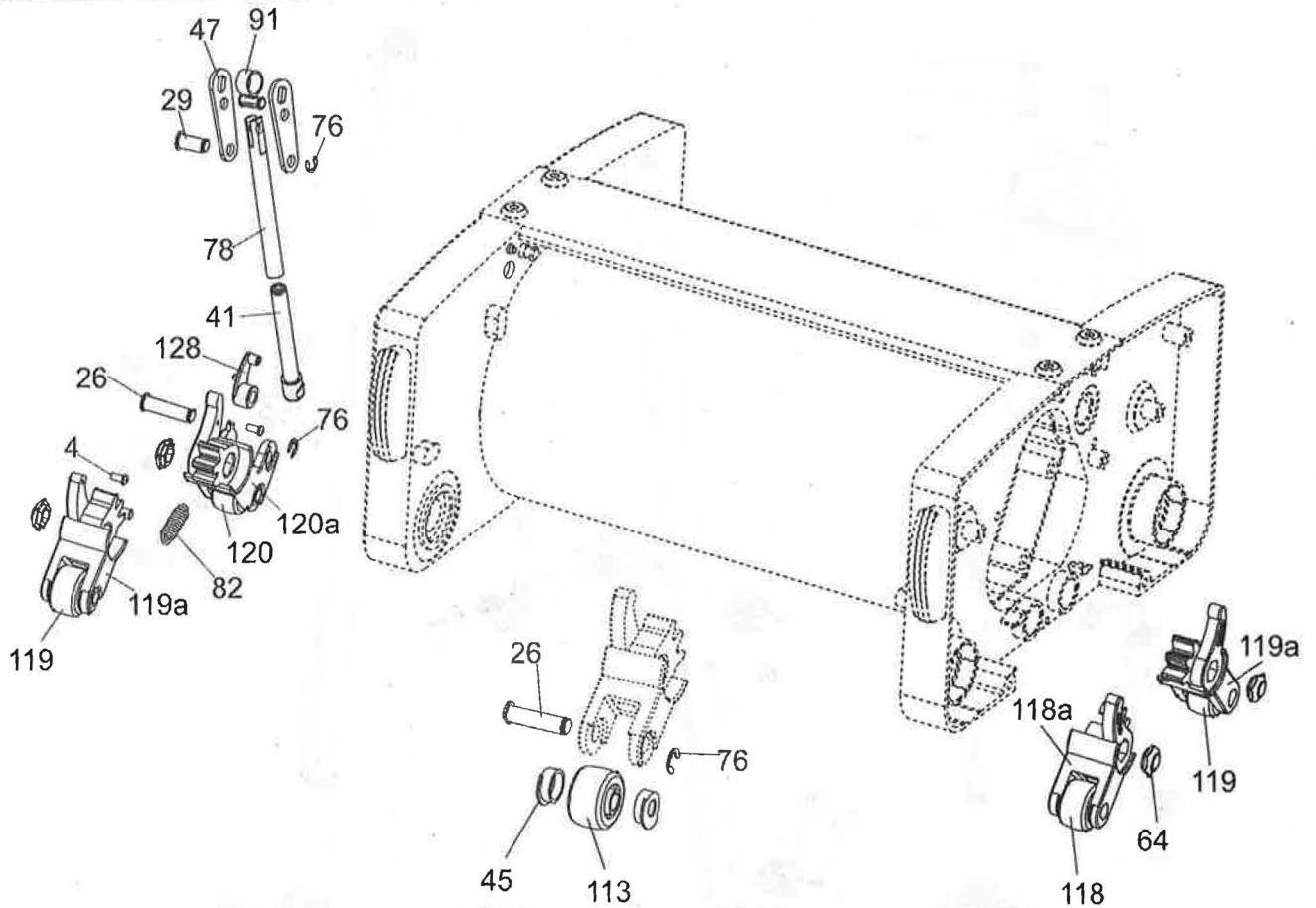


PUMP HOUSING



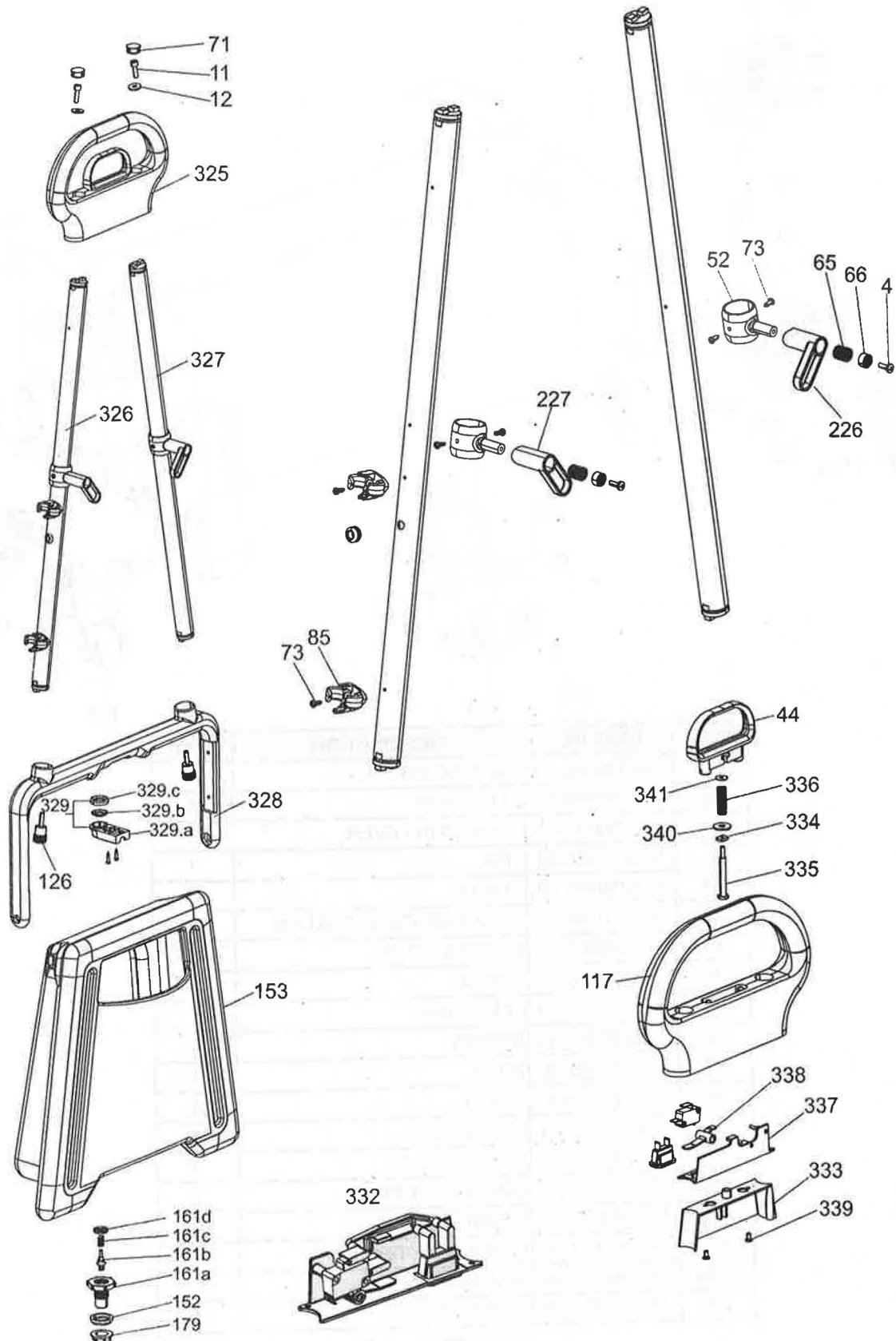
SI.NO.	PART NO.	DESCRIPTION	QTY
101	553250322-00	O-RING-PUMP	1
102	558250369-00	FILTER	1
106	552120005-00	CSK SCREW M4x12	4
121	558250643-00	TANK ASSY COMPLETE-DIRTY WATER-34-GREY	1
123	558250173-00	LID ASSY-DIRTY WATER	1
123a	553250115-00	LID-DIRTY WATER	1
122b	553250141-00	LID PAD	2
154	553250336-00	HOSE - 275	1
158	553250366-00	HOSE CLIP	1
159	558250352-00	NOZZLE	1
162	558250364-00	BOOT	1
165	552180003-00	HEX NUT M4	4
168	553250175-00	STRIP LID	2
176	558250010-00	ADAPTOR NOZZLE	1
180	553250293-00	SEAL NOZZLE	1
187	553250321-00	SPACER	1
342	553250538-00	HOSE - 240	1
343	553360101-00	SUPPORT RING	2
344	553250531-00	LID - FRESH WATER PUMP - DC	1
363	558251066-00	PUMP HOUSING COMPLETE W34P DC GREY	1
V9	553310350-00	VIBRATING PUMP-24V AC EP8/EP8S	1

LEVER & GUIDE LINK MECHANISM



SI.No	PART NO.	DESCRIPTION	QTY
4	552140008-00	CRPH SCREW M4x12	2
26	553250005-00	CLEVIS PIN	5
29	553250011-00	CLEVIS PIN-LEVER	1
41	553250034-00	LINK	1
45	553250042-00	SHIELD	8
47	553250044-00	LEVER-BRUSH ACTUATION	2
64	553250089-00	LEVER BUTTON	4
76	553250112-00	CIRCLIP	6
78	553250121-00	LINK GUIDE	1
82	553250157-00	SPRING	1
91	553250182-00	BUSH	1
113	558250153-00	WHEEL	4
118	558250162-00	LEVER ASSY	1
118a	553250072-00	LEVER-DRIVEN	1
119	558250163-00	LEVER ASSY-IDLER	2
119a	553250073-00	LEVER-IDLER	2
120	558250164-00	LEVER ASSY-DRIVER	1
120a	553250074-00	LEVER-DRIVER	1
128	553250355-00	LEVER SWITCH	1

HANDLE ASSEMBLY

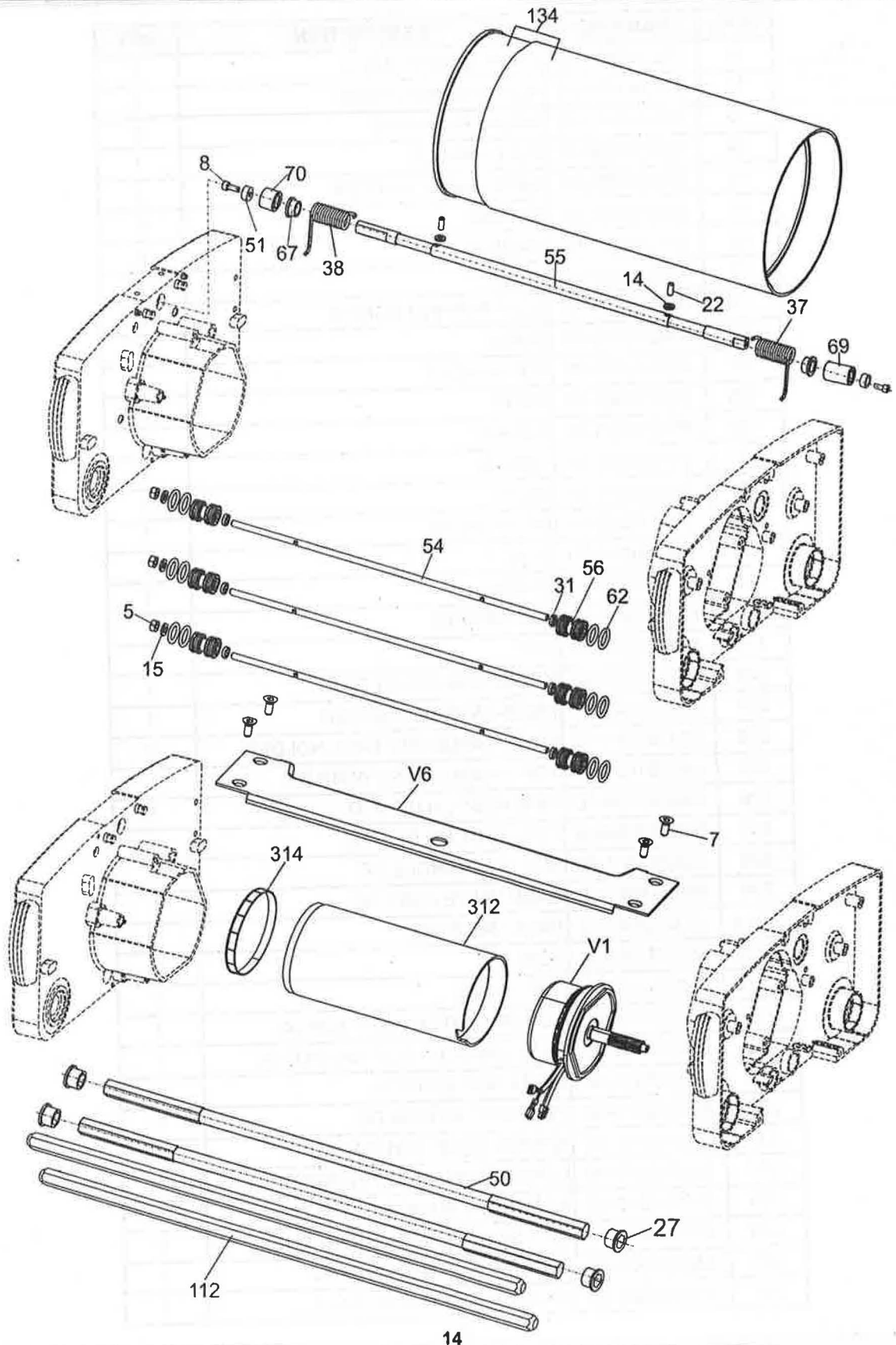


HANDLE ASSEMBLY



Sl.No	PART NO.	DESCRIPTION	QTY
4	552140008-00	CRPH SCREW M4x12	2
11	552240014-00	ALLEN SCREW M6x20	2
12	552350013-00	WASHER 6.4x18x2	2
44	553250428-00	PULL HANDLE	1
52	553250056-00	BASE-CABLE HOLDER	2
65	553250090-00	SPRING	6
66	553250091-00	WASHER	6
71	553250099-00	PLUG	2
73	553250104-00	SELF TAPPING SCREW	10
85	553250160-00	GUIDE	2
117	558250159-00	TOP HANDLE	1
126	558250363-00	KNOB	2
152	553250323-00	GASKET	1
153	553250333-00	TANK-4I	1
161	558250362-00	VALVE	1
161a	553250283-00	BODY-VALVE	1
161b	558250034-00	SEAL	1
161c	553250340-00	SPRING	1
161d	553250285-00	CAP-SPRING	1
179	553250284-00	NUT	1
226	553250243-00	KNOB-TANK HOLDER-LH	1
227	553250244-00	KNOB-TANK HOLDER-RH	1
228	553250264-00	BASE-CABLE AND TANK HOLDER	2
325	558251031-00	TOP HANDLE ASSY W34P DC	1
326	558251058-00	PIPE ASSY LH DC STD	1
327	558251059-00	PIPE ASSY RH DC STD	1
328	558251001-00	BOTTOM HANDLE DC	1
329	558251041-00	BASE VALVE ASSY DC	1
329.a	553250540-00	BASE VALVE DC	1
329.b	553250287-00	SEAL	1
329.c	553250297-00	CAP-VALVE	1
332	558251035-00	COVER SWITCH ASSY TOP DC	1
333	553250511-00	BASE SWITCH - TOP HANDLE DC	1
334	553250514-00	PLATE NUT SWITCH	1
335	553250513-00	PIN PUMP SWITCH DC	1
336	553250515-00	SPRING PUMP SWITCH	1
337	553250510-00	COVER SWITCH TOP HANDLE	1
338	553250512-00	ACTUATOR PUMP SWITCH DC	1
339	552110002-00	CR CSK HD SCREW SS304 M4X8	2
340	552360022-00	WASHER SS304 6.4X18X1.6	1
341	552360008-00	WASHER SS304 4.3X12X1.0	1

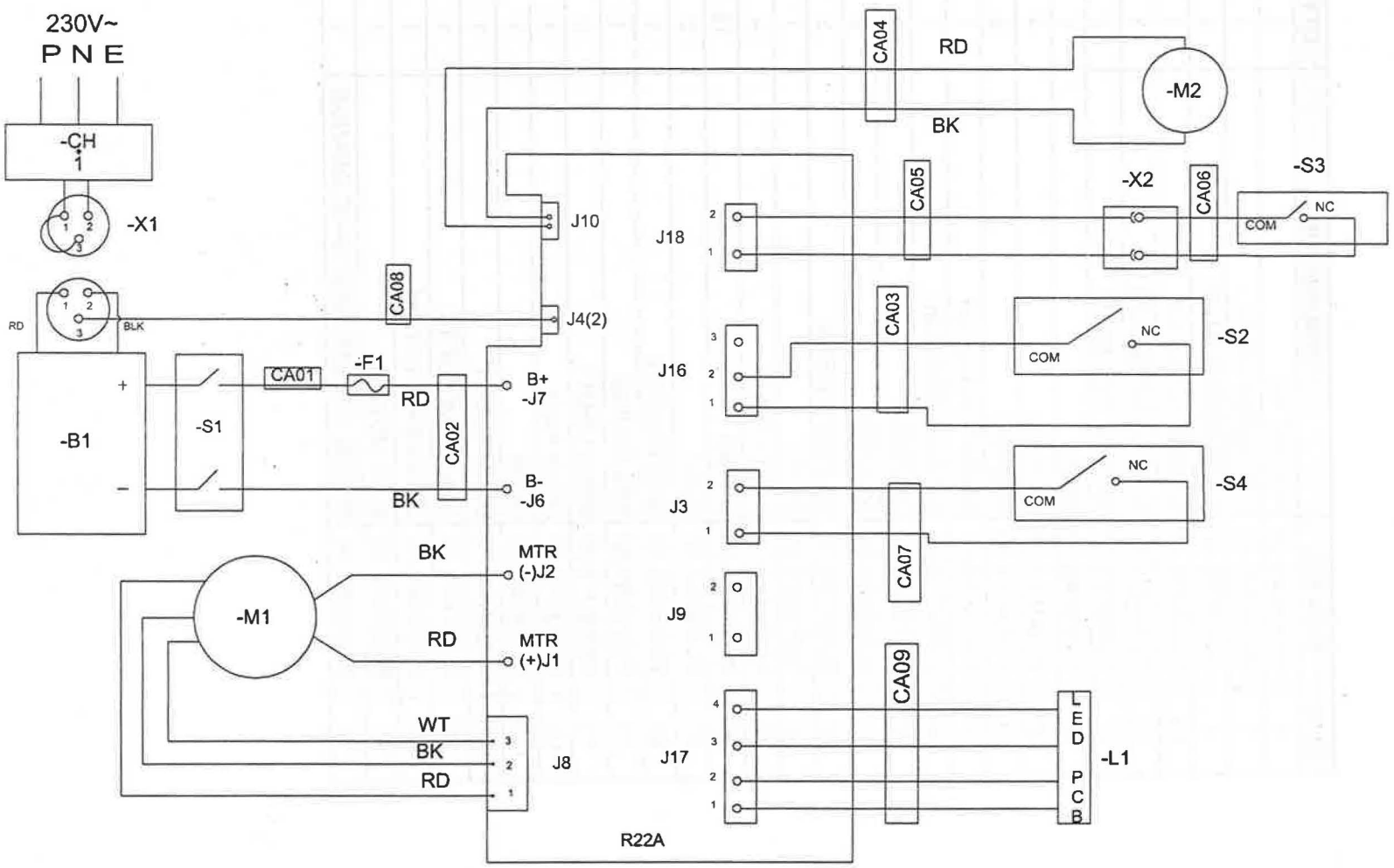
MOTOR, DRUM & BRIDGE ASSEMBLY



MOTOR, DRUM & BRIDGE ASSEMBLY

Sl.No	PART NO.	DESCRIPTION	QTY
5	552480005-00	HEX NUT M5	3
7	552220011-00	CSK SCREW M6x14	4
8	552240002-00	ALLEN SCREW M4x10	2
14	552360010-00	WASHER 5.2x10x1.6	2
15	552360011-00	WASHER 6.4x12.5x1.6	3
22	552690002-00	GRUB SCREW M5x12	2
27	553250006-00	BUSH	4
28	553250009-00	WASHER	4
31	553250014-00	WASHER	6
37	553250029-00	SPRING-HANDLE-LH	1
38	553250030-00	SPRING-HANDLE-RH	1
50	553250052-00	HEX SHAFT	2
51	553250055-00	WASHER	2
54	553250065-00	TIE ROD CHASSIS	3
55	553250066-00	SHAFT	1
56	553250068-00	WHEEL-DRUM	6
62	553250085-00	O' RING	12
67	553250092-00	BUSH	2
69	553250096-00	SPACER-DRIVE	1
70	553250097-00	SPACER-IDLE	1
112	558250152-00	BRUSH SHAFT	2
134	558250255-00	DRUM ASSY	1
134a	553250367-00	DRUM	1
134b	553250364-00	DRUM SLEEVE	1
312	553250498-00	SPACER MOTOR DC	1
314	553250500-00	COVER PROTECTION	1
V1	558250983-00	BLDC MOTOR	1
V6	558251064-00	BRIDGE HOUSING ASSY-34-DC ORANGE	1

ELECTRICAL SCHEMATIC



LIMITED WARRANTY



Roots Multiclean Ltd (RMCL) warrants to the original purchaser / user that its products are free from defects in workmanship and materials under normal use and service for a period of one year (except vacuum motors, batteries and engines) from the date of purchase. Infrequent exceptions to this general policy are warranty extensions by RMCL to cover unusual circumstances, such as field modification program / product recall for replacement.

- a. Vacuum Motors - 12 months or 600 Hrs whichever occurs first
- b. Battery - 12 months or 1200 Hrs (Cycles - 350) whichever occurs first.
- c. Diesel Engines - 12 months or 1500 Hrs whichever occurs first.
- d. Petrol Engines - 12 months or 1200 Hrs whichever occurs first.
- e. Drive Tyre - 12 months or 1200 Hrs whichever occurs first.

RMCL will, at its option, repair or replace without charge, except for transportation costs, parts that fail under normal use if the product has been operated and maintained in accordance with the applicable operation and instruction manuals.

CONDITIONS

Start of Warranty Period

Warranty begins the day the product is purchased by the end user / purchaser and it is transferable to subsequent owners if the product is sold through dealers.

RMCL Obligation

RMCL obligation under this warranty is limited to the free-of-charge repair or replacement, at its sole discretion, of any product that RMCL examines and determines to be defective in material or workmanship and its decision shall be final and binding in this regard.

RMCL Policy on Repair or Replacement

Repairs will be made using only new or refurbished parts provided by RMCL. Replacement will be made only if the product is not serviceable or if it is damaged beyond economical repair. In such cases, a RMCL refurbished product, if available, will be used as the replacement, unless RMCL specifically authorizes the use of a new product. Refurbished products will meet the original RMCL manufacturing specification / standards.

Note: Replacement parts or units used to repair a defective service part or unit covered by the service parts warranty carry on additional warranty beyond the warranty coverage of the original purchased service part or unit.

Purchaser's Obligation

The purchaser's obligation is to operate the product under normal conditions in an approved application, which includes proper installation, speed, intended application use, and service. Failure to do so voids this warranty. In order to obtain a claim under this warranty, the purchaser must deliver the product (easy to carry equipment like wizzard, vacuum cleaners etc.) to an Authorized RMCL Service Dealer who will determine whether the product has failed or not and determine if warranty consideration can be provided. Equipments other than the small ones as listed above, RMCL Authorized Service Dealer will inspect and determine if the warranty consideration can be provided at customer place.

How to Obtain Warranty Service

- a) Immediately upon noticing the defect, the customer contacts the nearest Dealer / Branch and on his call, allows him to check the machine and enables him to remove and dispatch to RMCL the part / parts, attributing the defects. Also if necessary allow the dealer / authorized service personnel to move the machine to his work place for effective service.
- b) Produces the original warranty coupon or the sale invoice copy, enabling the dealer / authorized service personnel to verify warranty details.

What is Not Covered Under this Warranty

- Any defective part or parts which, in the opinion of RMCL has been damaged in any form whatsoever due to improper usage or negligence, or due to any accident or any alteration whatsoever to the machine.
- Normal wear and tear, or the items whose life is dependent on their appropriate use and care, such as belts, cords, switches, hoses, rubber parts. Vacuum motors, starter motor, alternator, stop solenoid switch are not also covered under this warranty if they are abused and not subjected to the appropriate usage.
- Part or parts or accessory purchased from an unauthorized source.
- Warranty service provided by firms not authorized by RMCL. Also, such service voids this warranty, and costs associated with such service are not recoverable from RMCL.
- Products modified or altered in ways not approved by RMCL. Such modifications terminate all RMCL warranty obligations.
- Costs resulting from negligence, abuse, accident, misuse, misapplication, tampering, or improper installation, inappropriate usage or removal.
- Failures caused by use of improper or contaminated cleaning solution (dirt, water, etc.), and normal wear and tear.
- Filter elements plugged as a result of normal use and not defective in workmanship or material.
- If the maintenance to the machine is not carried out as specified in the instruction manual.
- If the operating instruction have not been complied with.
- Normal maintenance operations such as engine tune-up, fuel system cleaning etc.
- Normal replacement of service items such as Filter elements, oil seals, gasket 'O' ring, rubber hose item etc.,
- Parts of the engine / machine that have been altered or replaced in an unauthorized manner.
- Engine / machine have not been serviced by RMCL authorized dealers, per recommended service schedule given in operators manual.
- Proprietary parts which are not manufactured by Roots Multiclean Ltd but supplied by other OEM's such as Alternators, Starter Motors, Types, Tubes and Batteries shall be governed by the warranty terms and conditions offered by these OEM's. Warranty of these items are to be referred to the respective manufacturer through RMCL branches / Authorised Dealer.

Warranty Limitations and Limitations of Liability:

THIS WARRANTY IS EXPRESSLY IN LIEU OF AND EXCLUDES ALL OTHER WARRANTIES NOT EXPRESSLY SET FORTH HEREIN, WHETHER EXPRESS OR IMPLIED, INCLUDING BUT NOT LIMITED TO ANY WARRANTIES OF MERCHANTABILITY OR OF FITNESS FOR A PARTICULAR PURPOSE. ANY IMPLIED WARRANTY THAT CANNOT BE DISCLAIMED UNDER APPLICABLE LAWS IS LIMITED TO THE DURATION OF THIS LIMITED WARRANTY. IN NO EVENT SHALL RMCL BE LIABLE FOR ANY LOSS OF USE OF THE EQUIPMENT, LOSS OF TIME, INCONVENIENCE, COMMERCIAL LOSS, OR OTHER INCIDENTAL OR CONSEQUENTIAL DAMAGE.

Note: A Limited Warranty issued by Roots Multiclean Ltd., either to a specific original equipment or to the aftermarket will take precedence over this Standard (Limited) Warranty.